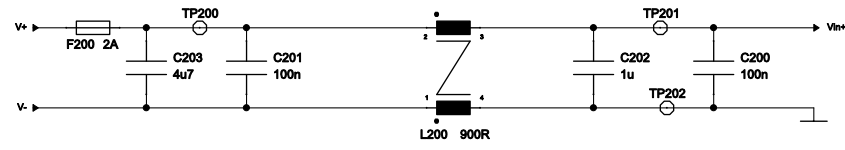
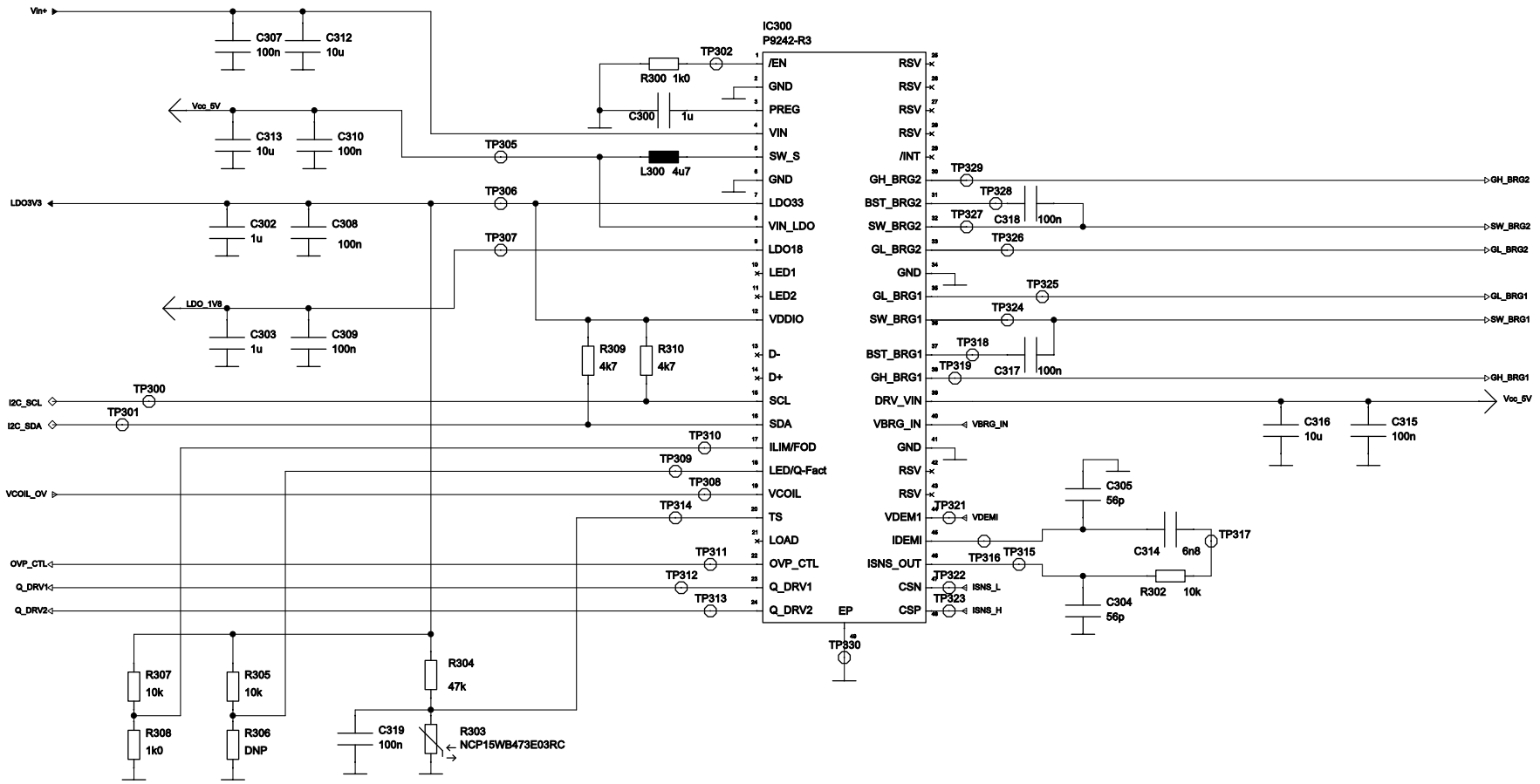


- © M100
- © M2, 380h240
- © M101
- © M2, 380h240
- © M102
- © M2, 380h240
- © M103
- © M2, 380h240

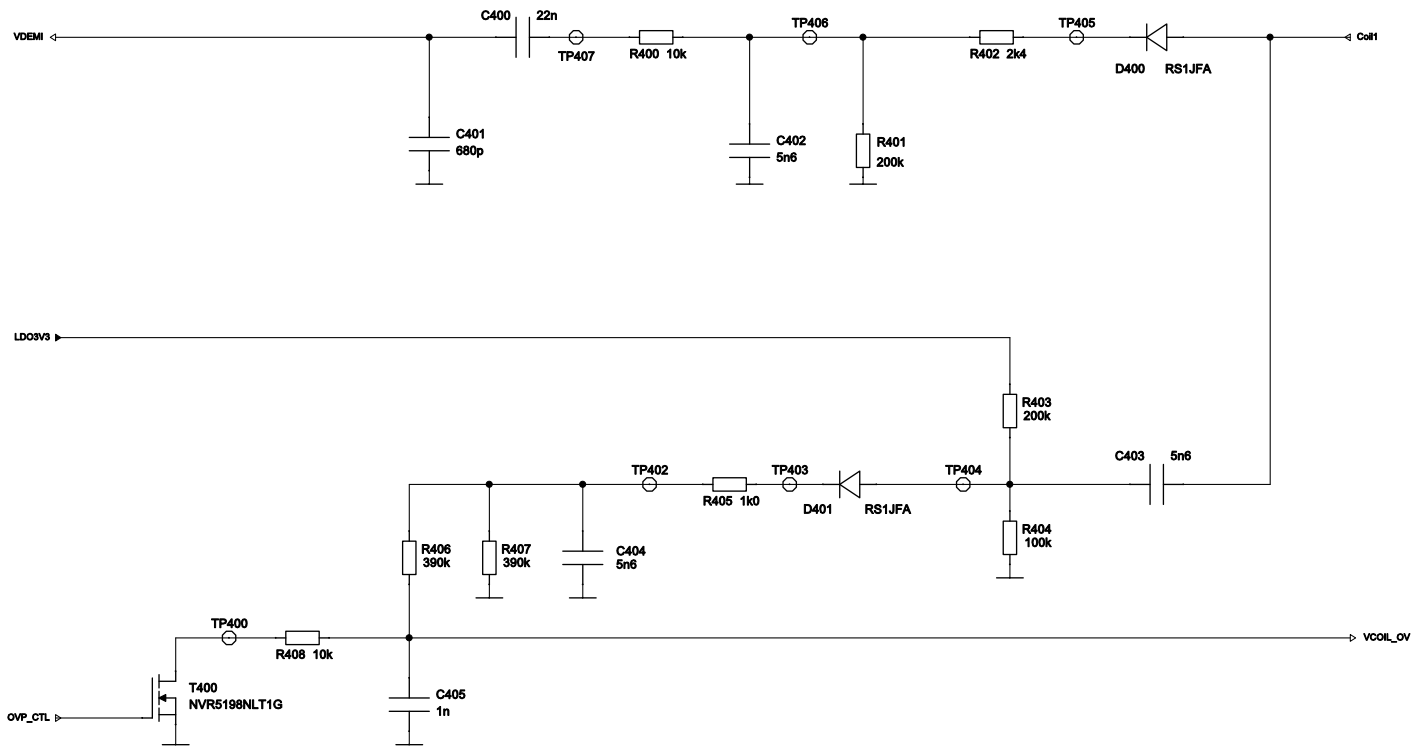
Approvals:	Names:	Date/Signatures:				
Drawn by:	K.Bernhard		Page Title: Blockdiagram			
Checked by:	D.Huwig		Site:	Project Reference:	Revision:	Project Name:
Responsible:	K.Bernhard		A3	00914	01A	Indium
Issued:	02.03.2022		Company Confidential		Status: Draft	Sheet: 1 of 5



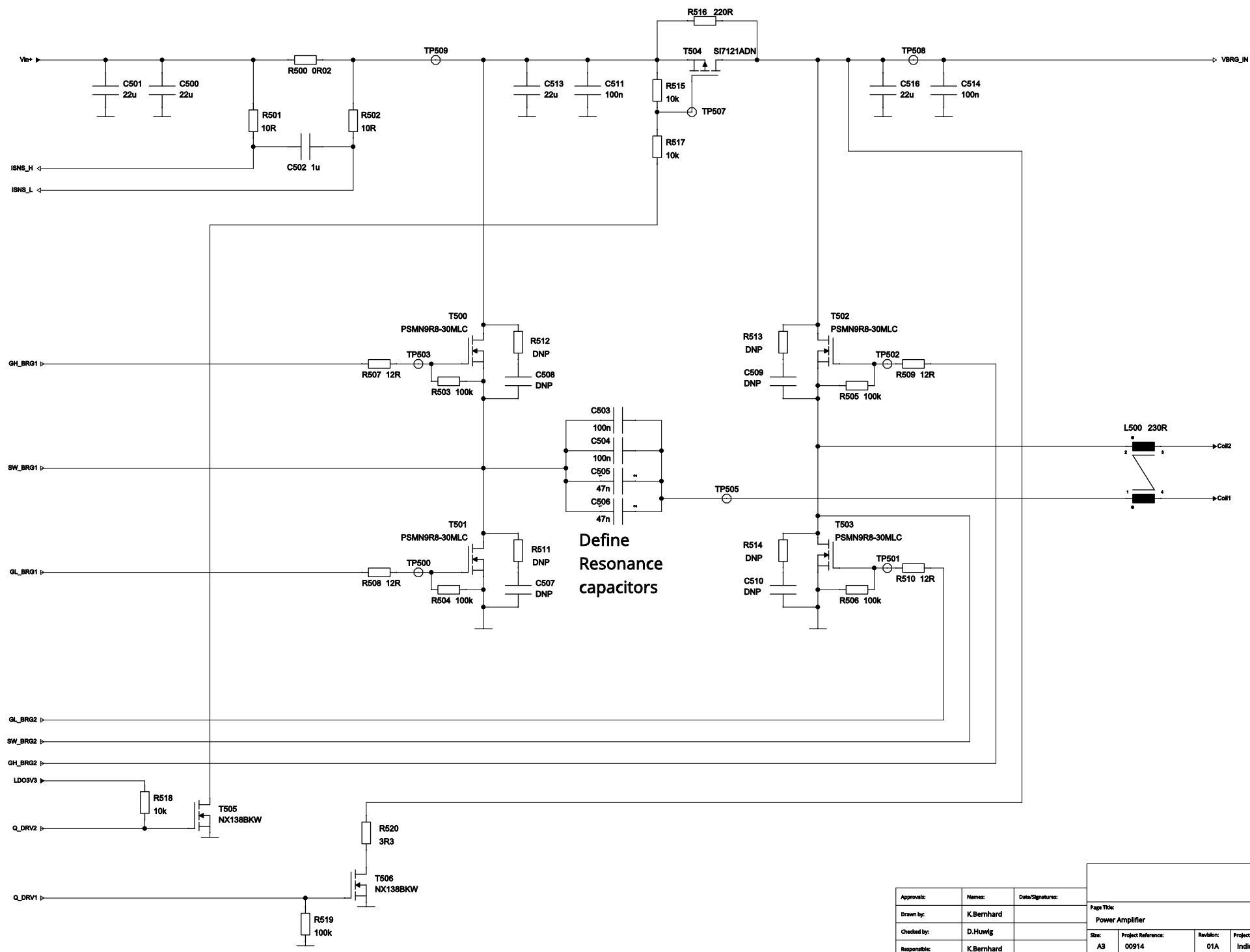
Approvals:	Names:	Date/Signatures:				
Drawn by:	K.Bernhard		Page Title: Input Filter			
Checked by:	D.Huwig		Site:	Project Reference:	Revision:	Project Name:
Responsible:	K.Bernhard		A3	00914	01A	Indium
Issued:	02.03.2022		Company Confidential		Status: Draft	Sheet: 2 of 5



Approvals:	Names:	Date/Signatures:	Page Title:			
Drawn by:	K.Bernhard		Digital Regulator			
Checked by:	D.Huwig		Site:	Project Reference:	Revision:	Project Name:
Responsible:	K.Bernhard		A3	00914	01A	Indium
Issued:	02.03.2022		Company Confidential		Status:	Draft
					Sheet:	3 of 5



Approvals:	Names:	Date/Signatures:				
Drawn by:	K.Bernhard		Page Title: Data Transceiver			
Checked by:	D.Huwig		Site:	Project Reference:	Revision:	Project Name:
Responsible:	K.Bernhard		A3	00914	01A	Indium
Issued:	02.03.2022		Company Confidential		Status:	Draft
					Sheet:	4 of 5



Define
Resonance
capacitors

Approvals:	Names:	Date/Signatures:
Drawn by:	K.Bernhard	
Checked by:	D.Huwig	
Responsible:	K.Bernhard	
Issued:	02.03.2022	

Page Title: Power Amplifier			
Site: A3	Project Reference: 00914	Revision: 01A	Project Name: Indium
Company Confidential		Status: Draft	Sheet: 5 of 5