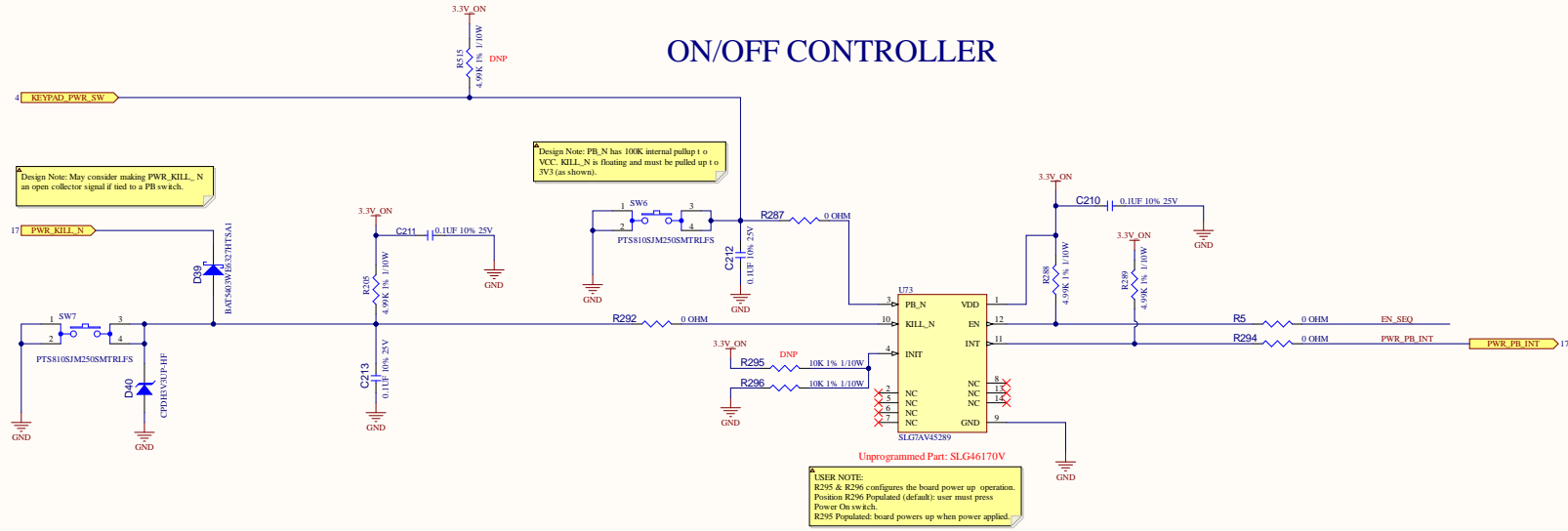
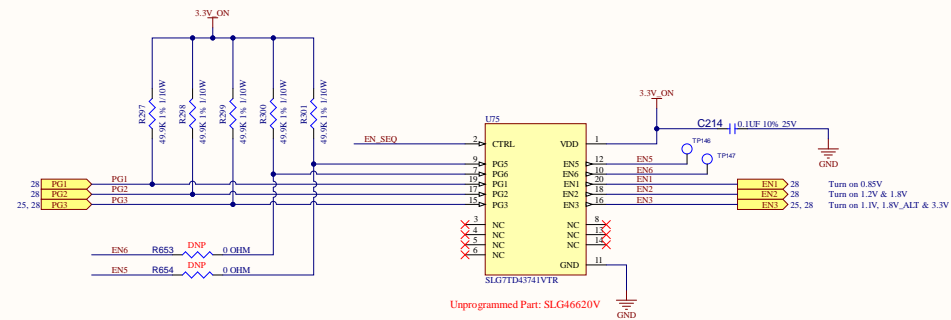


ON/OFF CONTROLLER



ON/OFF SEQUENCING



Title		
Size	Number	Revision
Orcad C		
Date:	7/04/2024	Sheet of
File:	\\.\SLG7AV45289 & SLG7TD43741VTR	