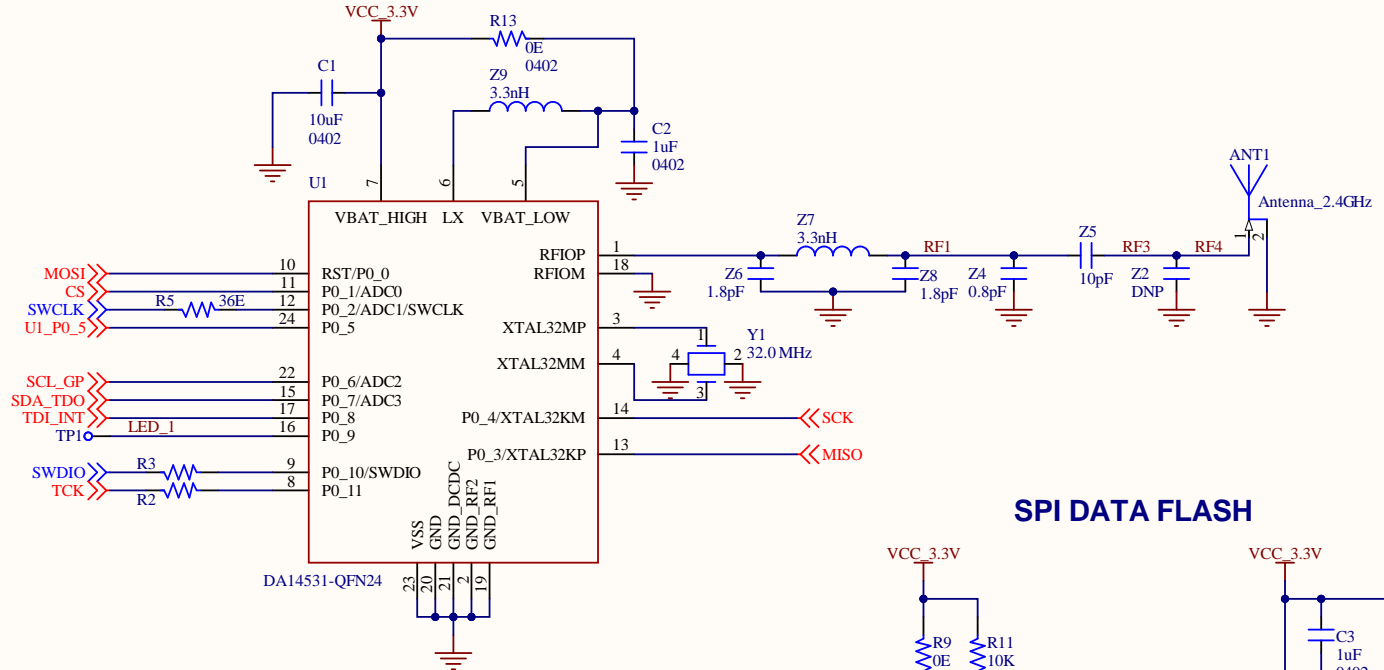
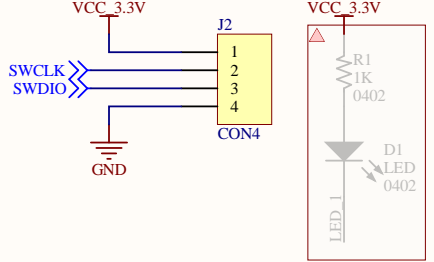


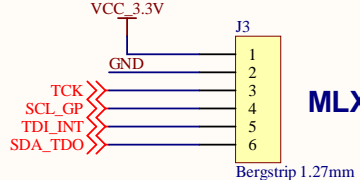
### DA14531 SoC



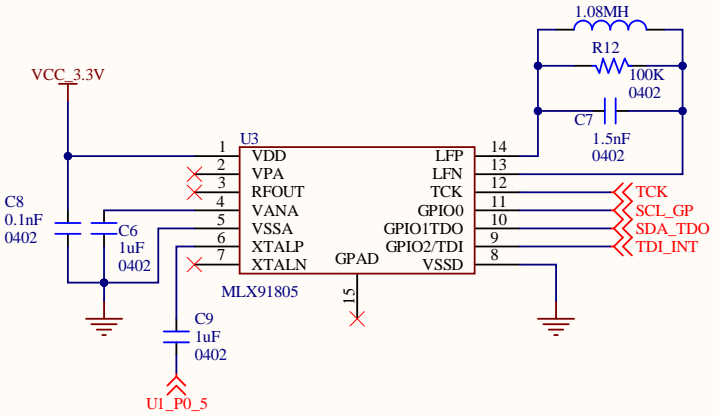
### DA14531 SoC\_PROG



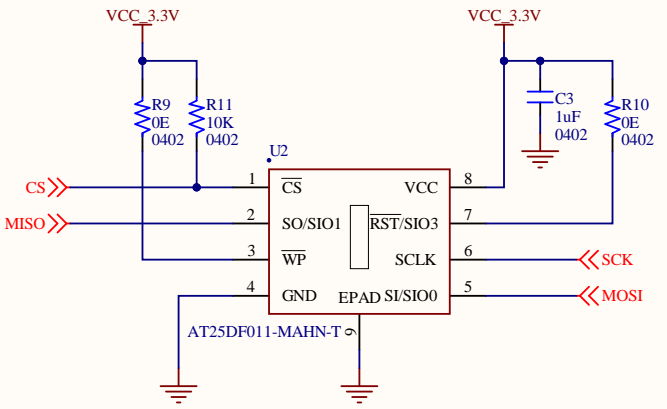
### MLX\_PROG



### PRESSURE SENSOR



### SPI DATA FLASH



Title		
<b>TPMS SCHEMATIC</b>		
Size	Number	Revision
A4		
Date:	5-22-2023	Sheet of
File:	F:\0. TPMS\...\TPMS SCHEMATIC.SchDoc	Drawn By: