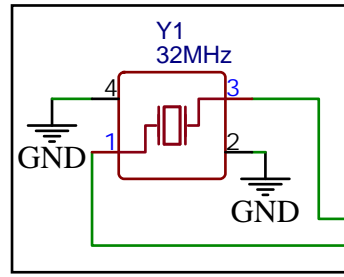
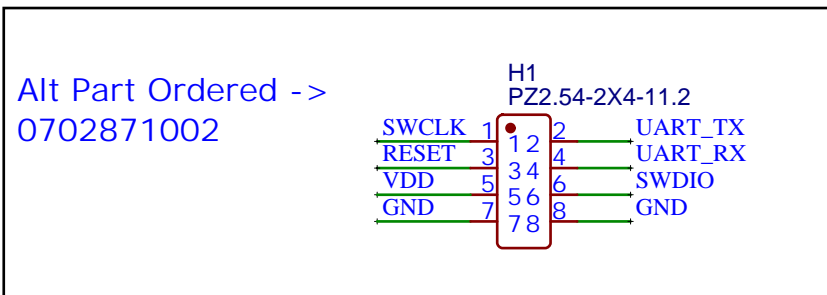


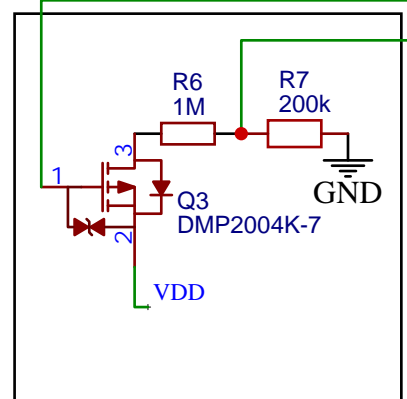
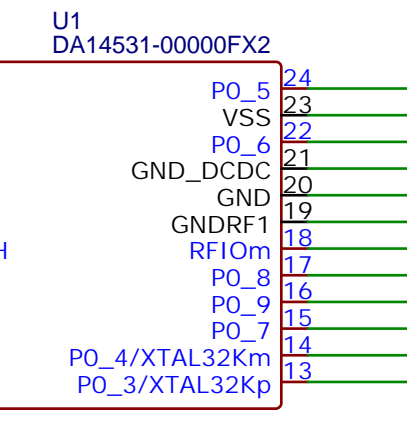
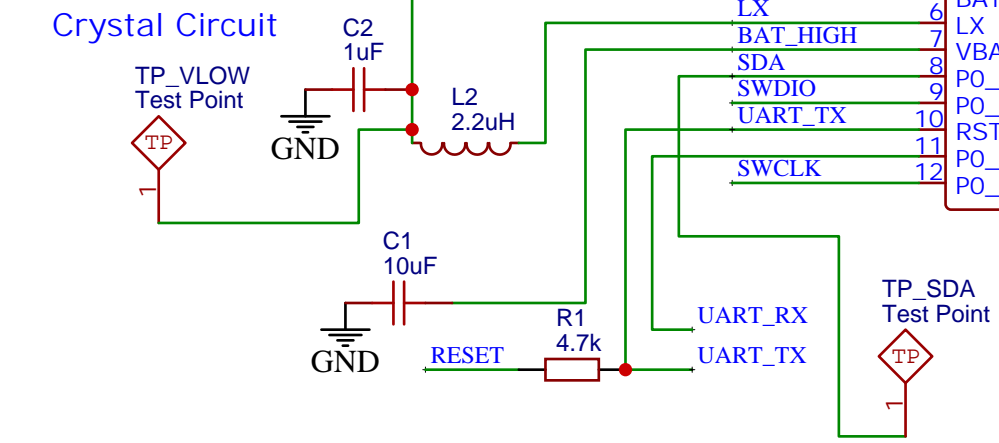
RF Circuit



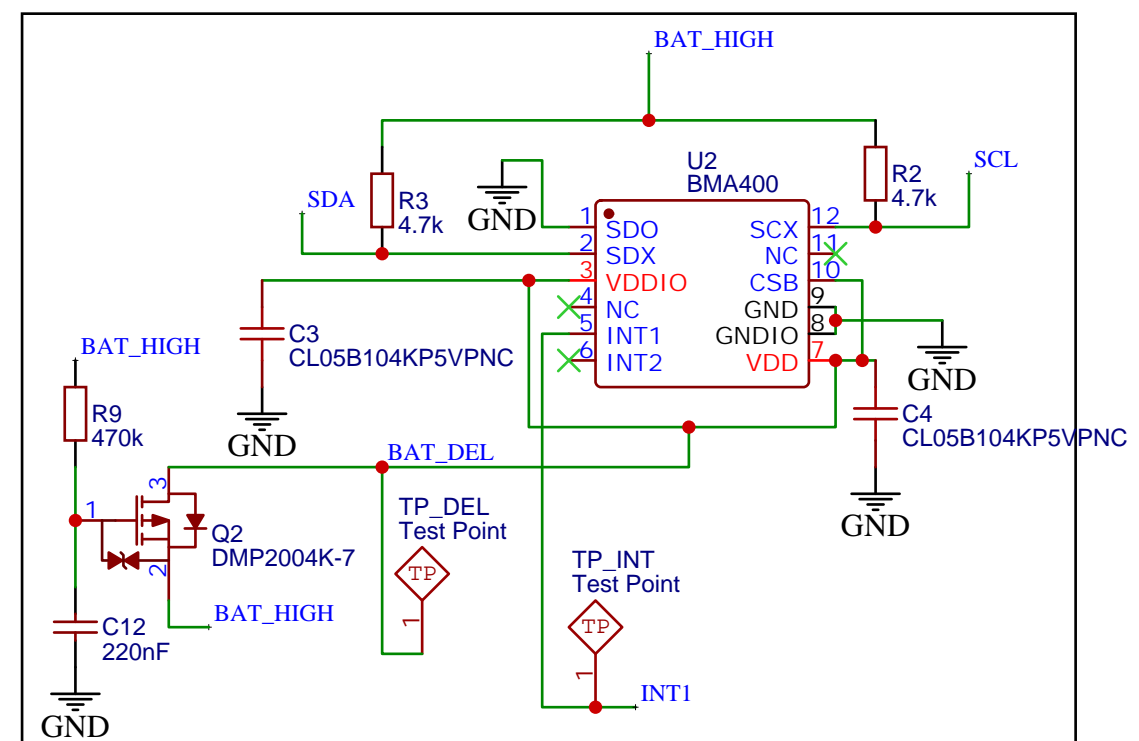
Crystal Circuit



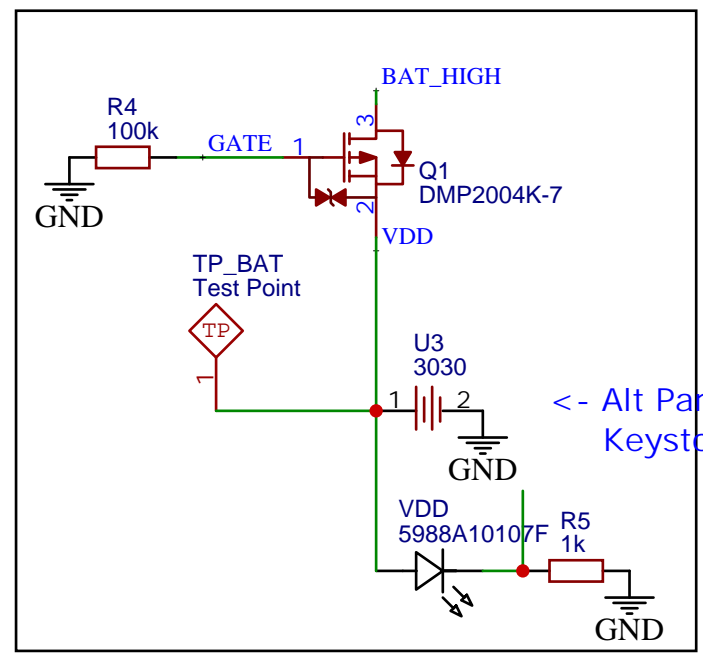
Programmer



Battery Monitoring Circuit



Motion Detection Circuit



Battery Protection Circuit

<- Alt Part Ordered
Keystone 3030

TITLE: Sheet_1		REV: 1.0
EasyEDA	Company: Your Company	Sheet: 1/1
	Date: 2025-01-12	Drawn By: ndsamu