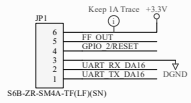
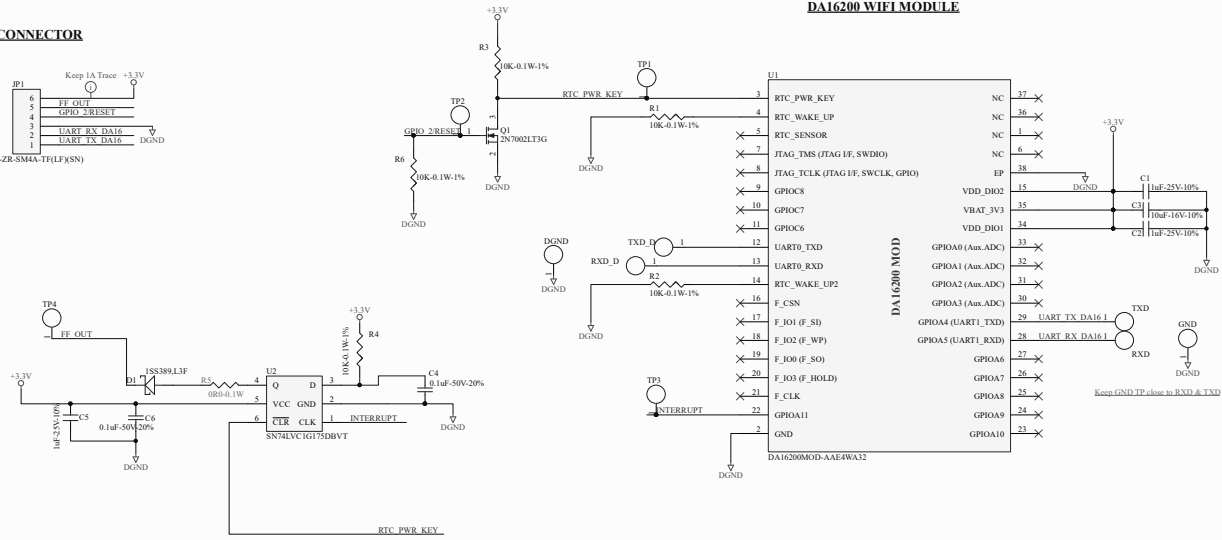


CONNECTOR



DAI6200 WIFIMODULE



Title		
Size	Number	Revision
A2		
Date:	05-04-2023	Sheet of
File:	Sheet1_SchDoc	Drawn By: